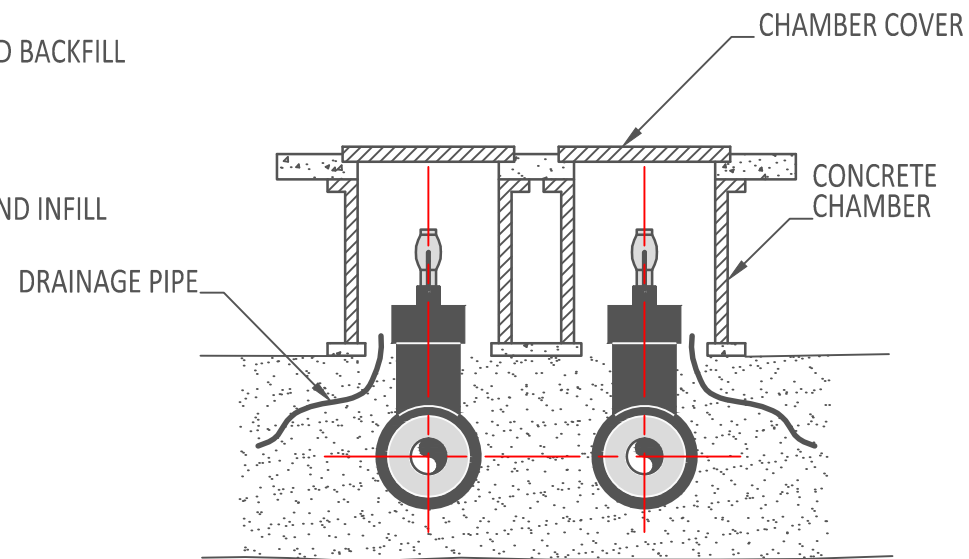


SIDE ELEVATION



SECTION

*CHAMBER, CHAMBER COVERS & DRAINAGE PIPES BY CIVIL CONTRACTOR.
 (THIS DESIGN IS INDICATIVE ONLY. LOADING AND GROUND CONDITIONS
 TO BE ESTABLISHED BY CIVIL ENGINEERING DESIGNER/ CONTRACTOR).

durotan

Pre-insulated pipe systems

DUROTAN LTD, WEST HOUSE, WEST STREET, BUCKINGHAM, MK18 1HE.
 Tel: 01280 814 048. Fax: 01280 817 842. Email: general@durotan.ltd.uk www.durotan.ltd.uk

PRE-INSULATED PIPE SYSTEM:

DUROTAN STEEL

DETAIL NAME:

**ISOLATING VALVE CHAMBER
 WITH DOUBLE VENT**

DRAWING No:

DS4.3

DRAWN BY:

C.AUSTEN

DRAWN DATE:

12.11.15

SCALE:

N.T.S

REV:

-